



AVAILABLE MOUNTING CONFIGURATIONS

8STL-F FRAME MOUNT
8STL-EM ENGINE MOUNT

OPERATING LEVELS

MIN FLOW	360 GPM	81.8 m ³ /h
MAX FLOW	2460 GPM	1558.7 m ³ /h
DISCHARGE SIZE	8"	200 mm
SUCTION SIZE	8"	200 mm
SOLIDS HANDLING	3"	76.2 mm
MAX SPEED	1800 RPM	1800 RPM
SHUT-OFF HEAD	166'	50.6 m
BEP HEAD	104'	31.7 m
BEP FLOW	1880 GPM	427 m ³ /h
BEP EFFICIENCY	67%	67%



A typical picture of the pump is shown. Please contact Cornell Pump Company for further details. All information is approximate and for general guidance only.

Cornell's self-priming pump, with industry-leading efficiency, runs several percentage points higher than other manufacturers. Features patented Cycloseal® backplate and uniquely designed volute for best performance, with a 8" suction and 8" discharge.

PARTS	STANDARD MATERIAL (ALL IRON)
VOLUTE CASING	DUCTILE IRON, ASTM A536, 65-45-12
IMPELLER	DUCTILE IRON, ASTM A536, 100-70-03
IMPELLER SCREW	304 STAINLESS STEEL
BACKPLATE/BRACKET	DUCTILE IRON, ASTM A536, 65-45-12
WEAR PLATE	MILD STEEL
BEARING FRAME	DUCTILE IRON, ASTM A536, 65-45-12
SHAFT	17-4 PH STAINLESS STEEL
SHAFT SLEEVE	304 STAINLESS STEEL
FASTENERS	GRADE 5 STEEL
MECHANICAL SEAL	SILICON CARBIDE vs. SILICON CARBIDE, TYPE 2

- FIVE-YEAR warranty
- Optional self-cleaning wear plate
- Modular bearing frame
- Cornell's Cycloseal® with type 2 seal
- Dual protection of bearings with external seal
- High-efficiency design

- Oversized oil reservoir for better cooling
- Replaceable shaft sleeve
- Heavy-duty ductile iron construction
- Designed for SAE operation
- High RPM Capability



AGRICULTURE



FOOD



INDUSTRIAL



MINING



MUNICIPAL



OIL & GAS



REFRIGERATION



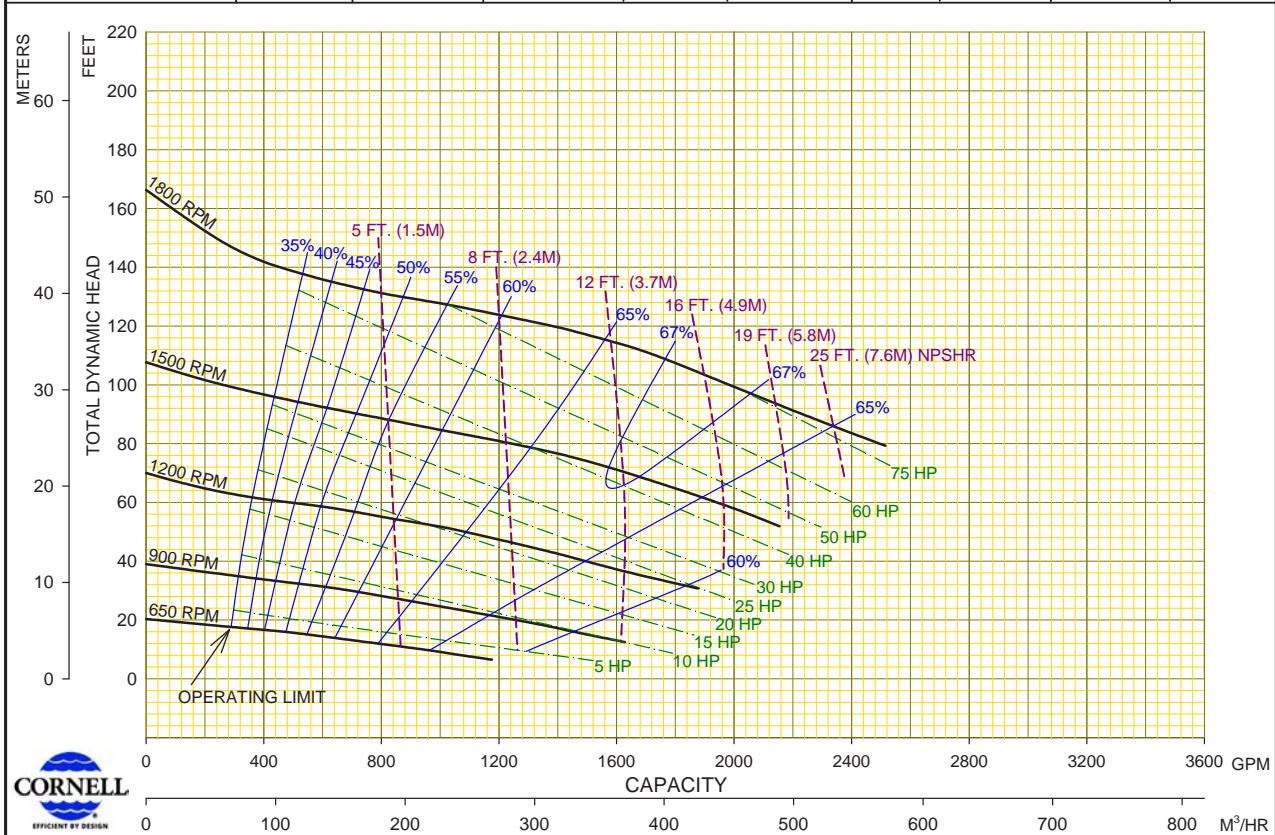
RENTAL



DATA SHEET 8STL

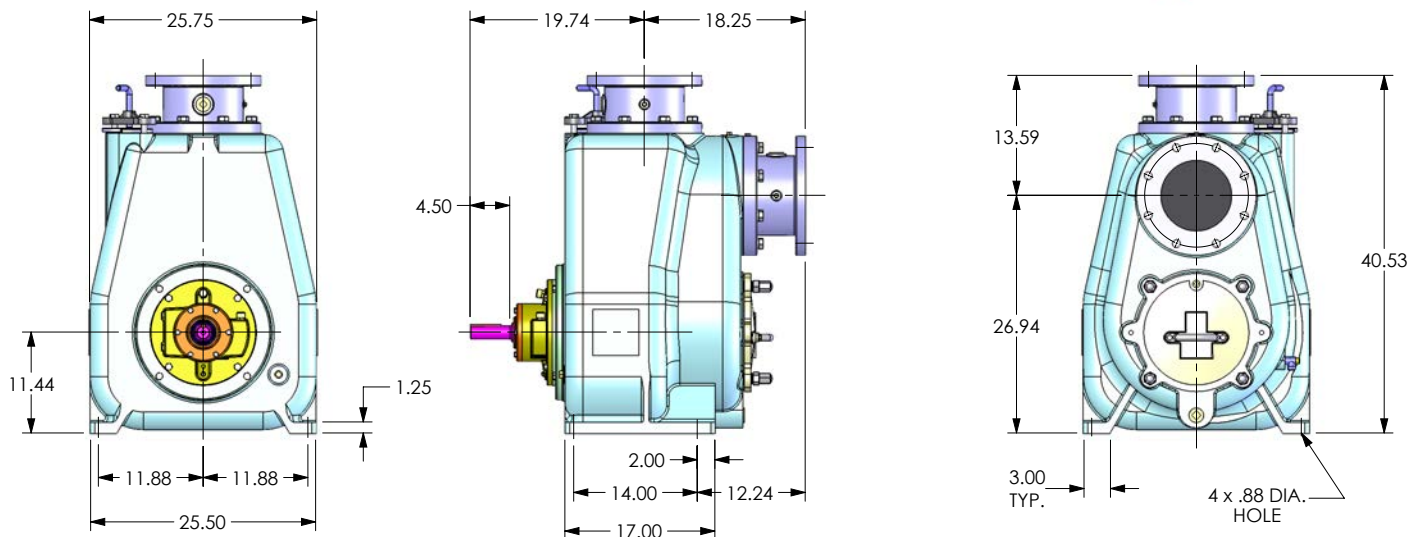
8STL (VARIOUS RPM)

Performances shown are for S.G. 1.0 60°F water, frame mounted configuration with Cyclosea®. Other mounting styles or S.G. may require curve adjustments.	Speed	Impeller Dia.	Style	Volute	Solids Dia.	N _s	Suction	Discharge	No. Vanes
	VARIOUS	12.38"	SEMI-OPEN	SINGLE	3"	2410	8"	8"	2



Cornell Pump Company • Clackamas, Oregon

04	10/13/14	CTG	MODEL: 8STL	CURVE NO.
00	04/12/14		TYPE: SELF-PRIMING	8STLVA



DS8STL-140826-P